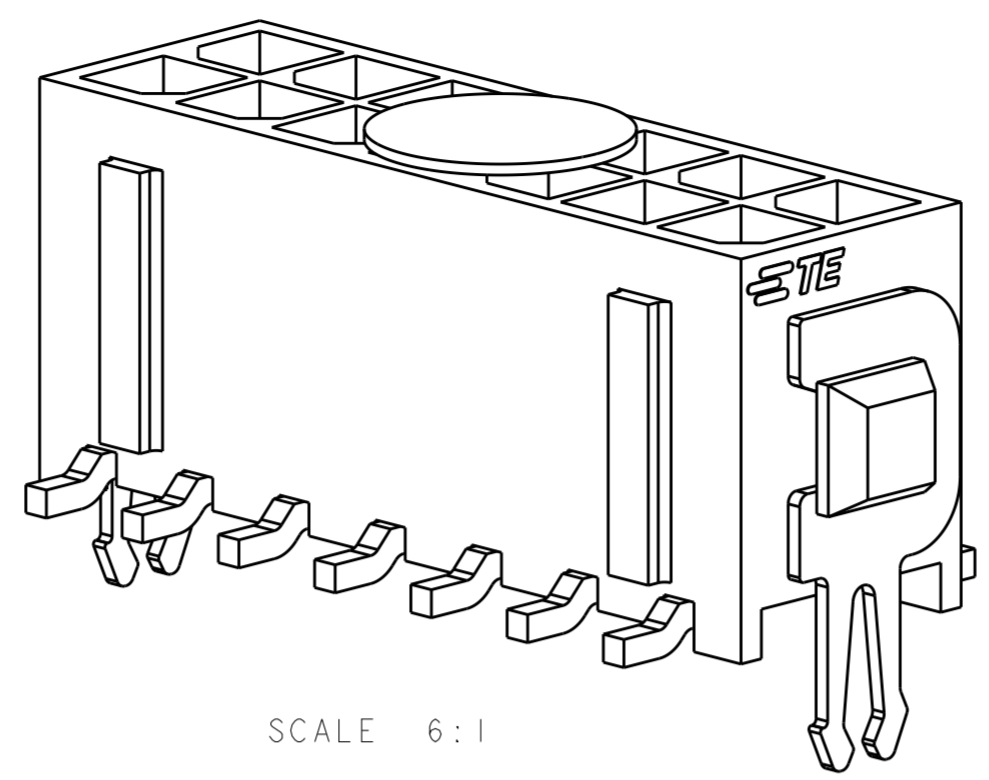
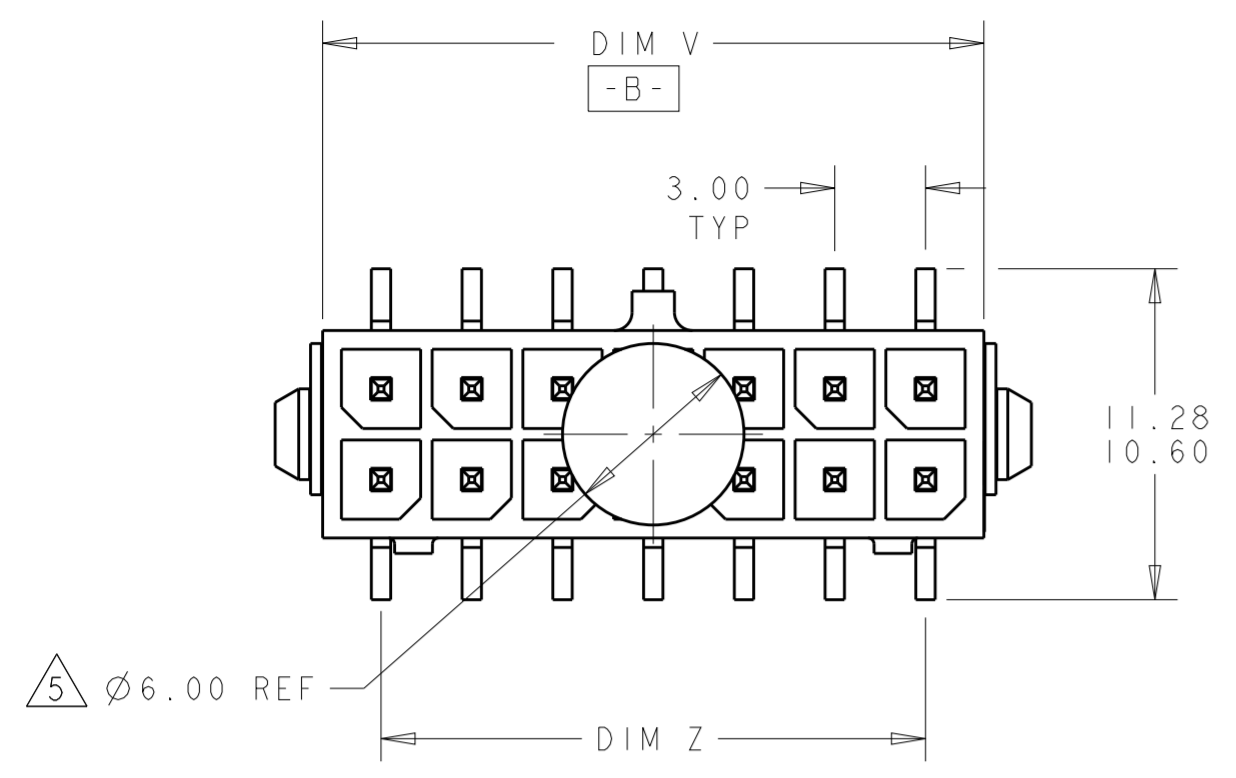
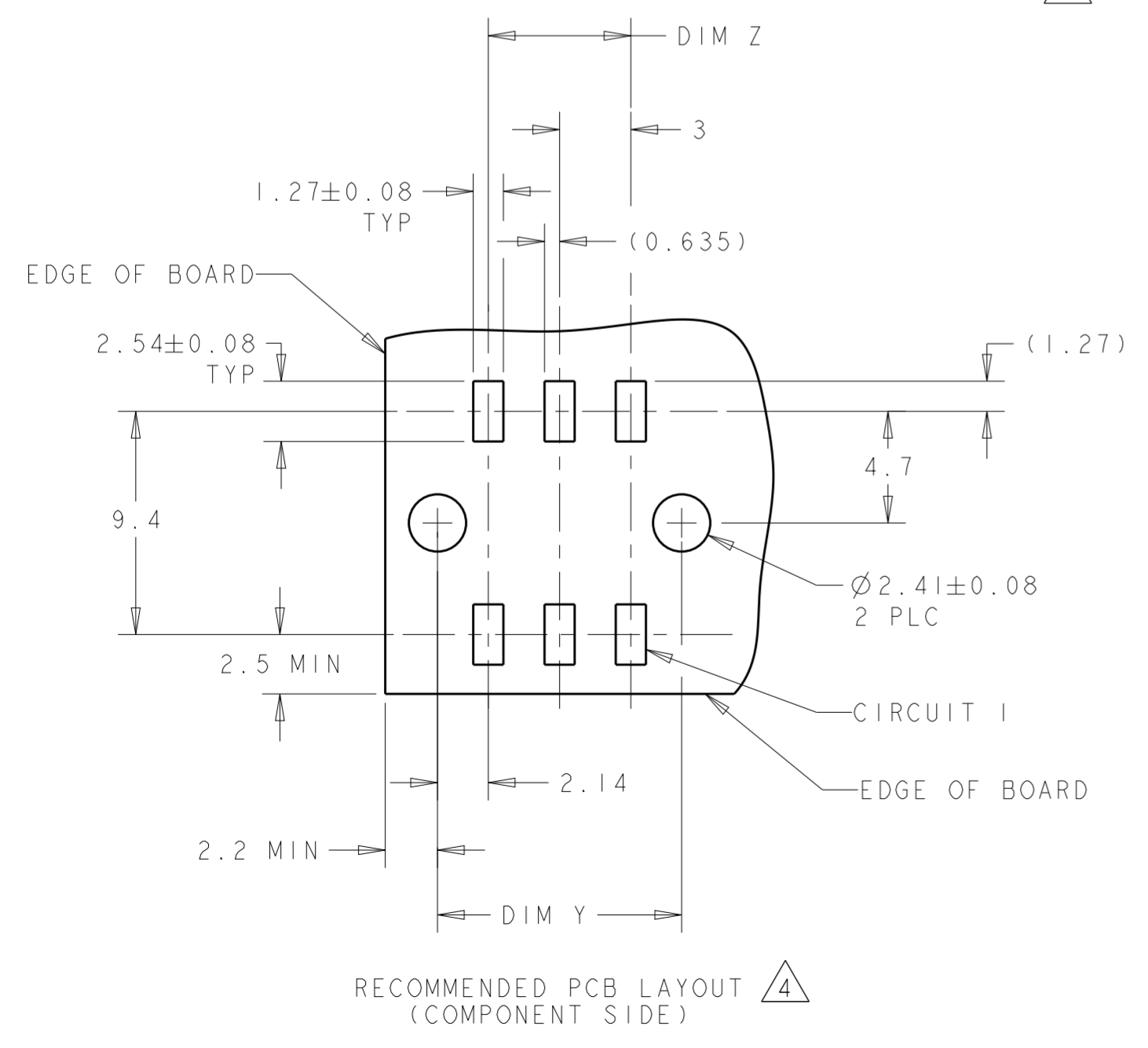
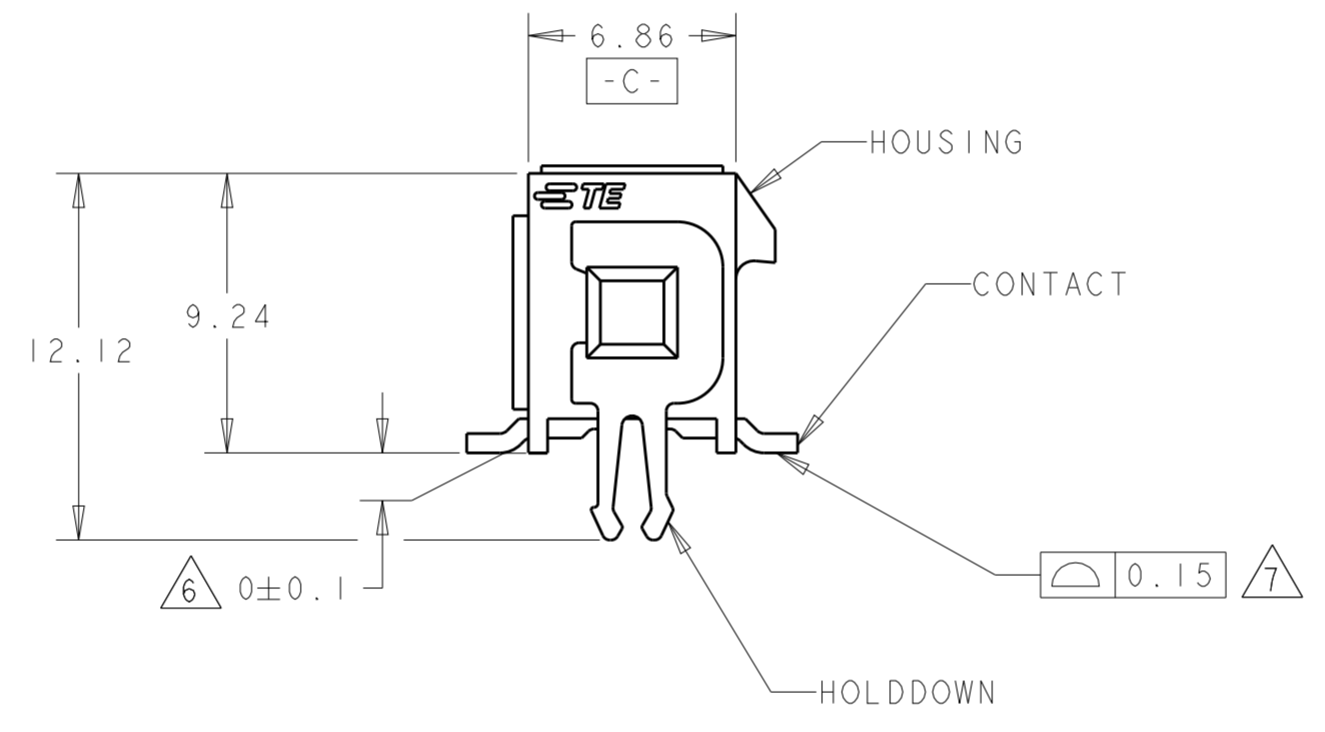
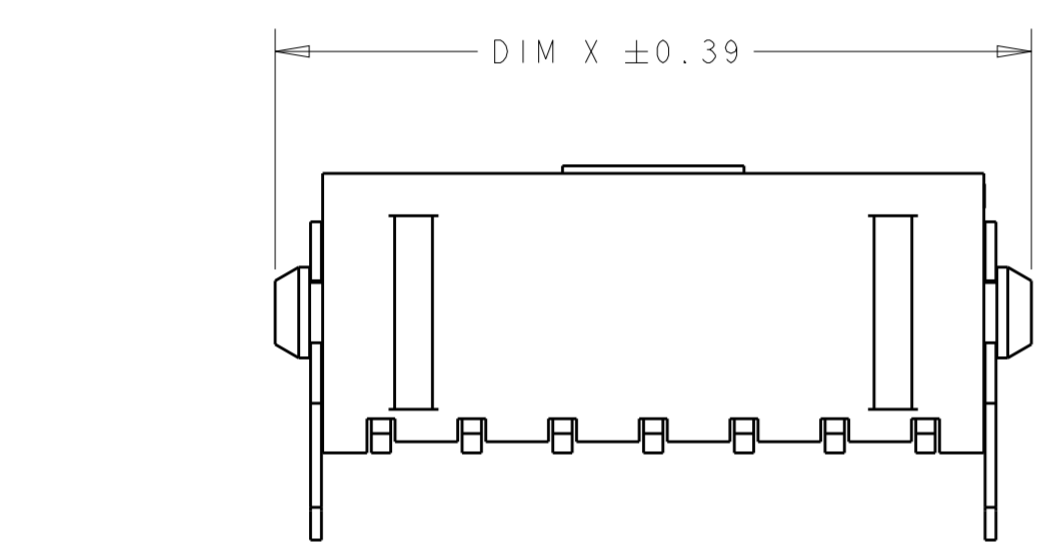


THIS DRAWING IS UNPUBLISHED. RELEASED FOR PUBLICATION 20
 © COPYRIGHT 20 ALL RIGHTS RESERVED.

| LOC | DIST | REVISIONS | | | | | |
|-----|------|-----------|-----|---------------------------|------------|-----|------|
| CM | 00 | P | LTR | DESCRIPTION | DATE | DWN | APVD |
| | | J | | REVISED PER ECO-15-003291 | 27JULY2015 | SC | DZ |



- 1 MATERIAL:
CONTACTS - BRASS.
HOUSING - UL 94V-0 RATED HIGH TEMP NYLON, COLOR; BLACK.
HOLD DOWNS - PHOSPHOR BRONZE.
- 2 FINISH:
CONTACTS - 2.54µm MINIMUM TIN-LEAD OVER 0.127µm MINIMUM NICKEL.
HOLD DOWNS - 2.54µm TIN-LEAD.
- 4 RECOMMENDED PCB BOARD THICKNESS OF 1.57.
- 5 KAPTON VACUUM PICK UP BUTTON.
- 6 DIMENSION APPLIES TO SOLDERTAIL SURFACES AND STANDOFF SURFACES.
- 7 ALL SOLDERTAILS.
- 8 FINISH:
CONTACTS - 2.54µm MINIMUM MATTE TIN OVER 1.27µm MINIMUM NICKEL.
HOLD DOWNS - 2.54µm MATTE TIN.



| | | | | | | |
|--------|-------|-------|-------|-------|--------------|------------|
| 8 | 36.86 | 37.3 | 33.00 | 40.00 | 24 | 5-794633-4 |
| | 33.86 | 34.3 | 30.00 | 37.00 | 22 | 5-794633-2 |
| | 30.86 | 31.3 | 27.00 | 34.00 | 20 | 5-794633-0 |
| | 27.86 | 28.3 | 24.00 | 31.00 | 18 | 4-794633-8 |
| | 24.86 | 25.3 | 21.00 | 28.00 | 16 | 4-794633-6 |
| | 21.86 | 22.3 | 18.00 | 25.00 | 14 | 4-794633-4 |
| | 18.86 | 19.3 | 15.00 | 22.00 | 12 | 4-794633-2 |
| | 15.86 | 16.3 | 12.00 | 19.00 | 10 | 4-794633-0 |
| | 12.86 | 13.3 | 9.00 | 16.00 | 8 | 3-794633-8 |
| | 9.86 | 10.3 | 6.00 | 13.00 | 6 | 3-794633-6 |
| 2 | 6.86 | 7.3 | 3.00 | 10.00 | 4 | 3-794633-4 |
| | 3.86 | 4.3 | - | 7.00 | 2 | 3-794633-2 |
| | 36.86 | 37.3 | 33.00 | 40.00 | 24 | 2-794633-4 |
| | 33.86 | 34.3 | 30.00 | 37.00 | 22 | 2-794633-2 |
| | 30.86 | 31.3 | 27.00 | 34.00 | 20 | 2-794633-0 |
| | 27.86 | 28.3 | 24.00 | 31.00 | 18 | 1-794633-8 |
| | 24.86 | 25.3 | 21.00 | 28.00 | 16 | 1-794633-6 |
| | 21.86 | 22.3 | 18.00 | 25.00 | 14 | 1-794633-4 |
| | 18.86 | 19.3 | 15.00 | 22.00 | 12 | 1-794633-2 |
| | 15.86 | 16.3 | 12.00 | 19.00 | 10 | 1-794633-0 |
| FINISH | DIM V | DIM Y | DIM Z | DIM X | NO. OF POSN. | ASSEMBLY |
| | | | | | | |
| | | | | | | |
| | | | | | | |

METRIC

THIS DRAWING IS A CONTROLLED DOCUMENT.

DWN S. HOOVER 23-MAR-2005
 CHK C. JONES 23-MAR-2005
 APVD C. JONES 23-MAR-2005

STC TE Connectivity

DIMENSIONS: mm TOLERANCES UNLESS OTHERWISE SPECIFIED:
 0 PLC ±
 1 PLC ±
 2 PLC ±0.13
 3 PLC ±
 4 PLC ±
 ANGLES ±
 FINISH

PRODUCT SPEC -
 APPLICATION SPEC -
 WEIGHT -

NAME SURFACE MOUNT, VERTICAL, MECHANICAL HOLD DOWN, ASSEMBLY, TIN HEADER, DUAL ROW, MICRO MATE-N-LOK (TM)
 SIZE A2 CAGE CODE C-794633 DRAWING NO. 794633-4
 RESTRICTED TO -

MATERIAL 1 - SEE TABLE CUSTOMER DRAWING SCALE 4:1 SHEET 1 OF 1 REV J